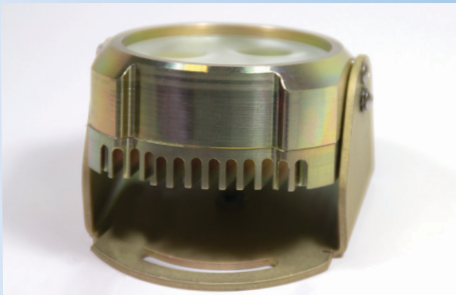


LED LOGO LIGHT



ADVANTAGES:

- LED Lasts as Long as 265 Bulbs
- 600 More Lumens
- Very Long Life LED
- 4.5 Times Lower Power Draw
- LED - 5000K; Bulb - 3000K
- Includes LED, Socket, Reflector, Pivot Bracket

Aircraft Compatibility:

Beechcraft
King Air C90, 200 series, B200/250,
300, B300/350 and Beech 1900C, 1900D

Cessna
Citation X 750

LED LIGHTING EXTERIOR UPGRADE

Beech King Air and 1900 owners/operators will enjoy the PWI LED external lighting option for the Logo Light bulb. The Citation X 750 also uses this light as a Wing Inspection light.

The PWI LED Logo Light replaces the halogen floodlight bulb that illuminates the vertical tail surface. Often a company name, logo, or other organization identity is painted there.

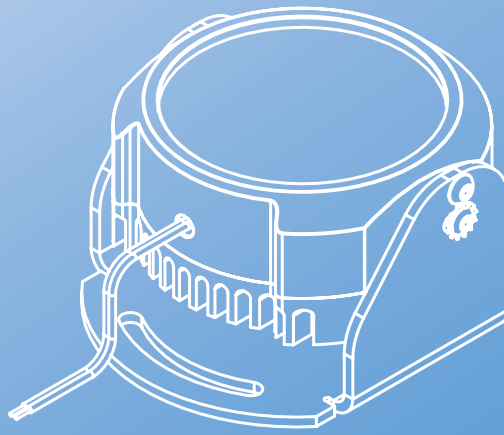
With 600 lumens more light output than a bulb, this very long life, low heat and bright LED delivers the illumination performance customers expect. 5000K color temperature makes it easier for the eye to see ice formation on the Citation wing at night.

Replaces light A70828, A708-28 and 34A0228070-67

CERTIFICATIONS:
PMA - PQ4159CE; #32
PN - #7310050-000

[PRODUCT PAGE](#)
[CLICK HERE](#)





**Beech aircraft – Vertical Tail Fin Floodlight “Logo Light”
Tail Mounted, 1 Per Aircraft**

**Cessna Citation X 750 – Wing Inspection Light
Fuselage Mounted, 2 Per Aircraft**

Function	Halogen Bulb	PWI LED
Lumens	1000	1600
Color Temperature	3000K	5000K
Operating Hours	160	100,000
Amps	1.8	0.40
Watts	50.4	11

Parts	Beech	Cessna
Light	A708-28	34A0228070-67
Socket	A507	33-07250060-0
Reflector	A736	68-5470127-00
Pivot Bracket	A737	07-270128-000