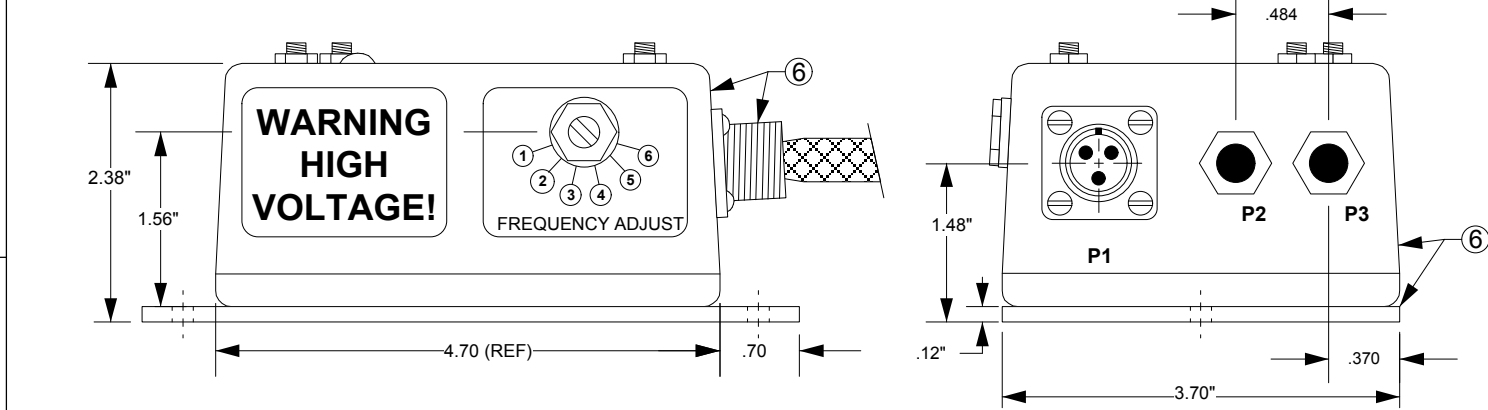
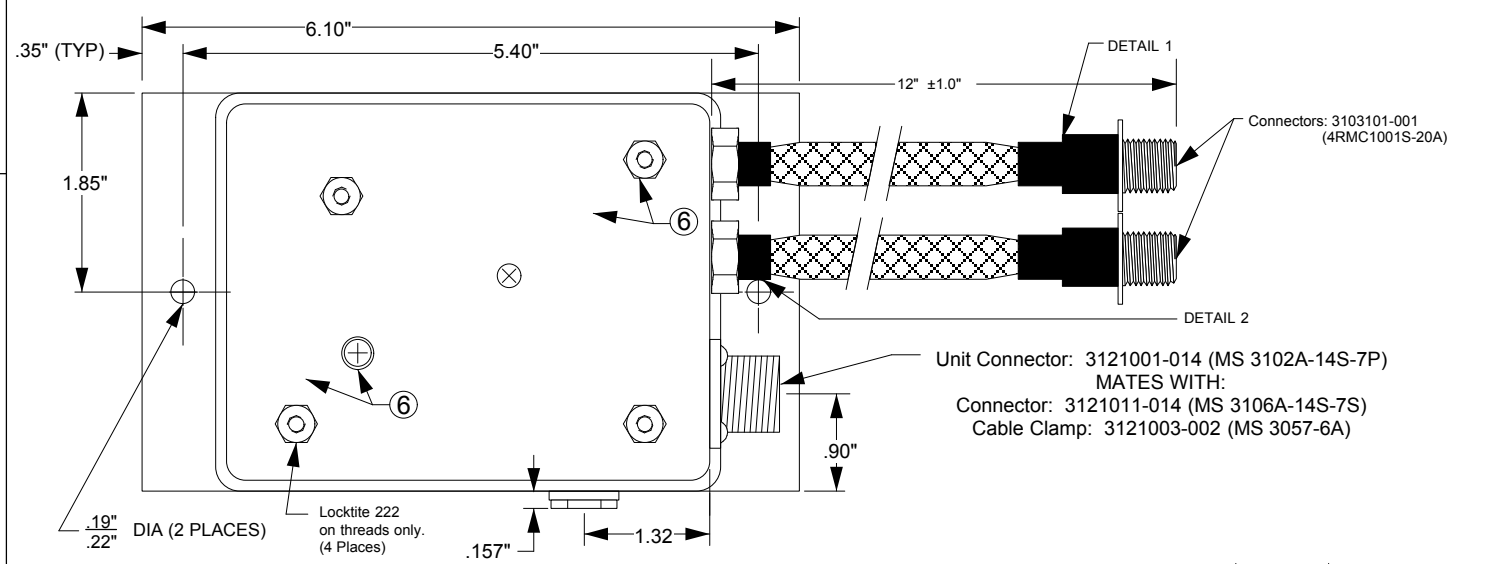
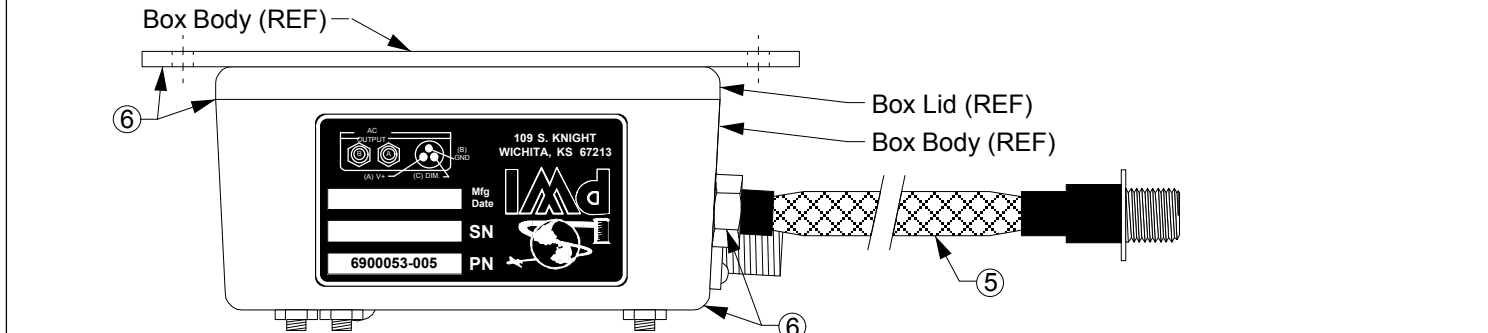


APPLICATION	
NEXT ASSY	USED ON
-	-

REVISION HISTORY			
REV	DESCRIPTION	DATE	APPROVED



**Notes:**

1. Connectors: 3103101-001 (4RMC1001S-20A) or supplied by Boeing!
2. Alluminum Material: Box & Lid - Alluminum Alloy 380  
Flange Base - 6061-T3 .125" THK.
3. Finish: Box lid & Box body - Black crinkle paint  
Mounting flange - Treated per MIL - C - 5541, Class 3
4. See sheet 4 for notes, installation, and wire hook-up.
5. Wire mesh (5900067-002) will envelope output wires to provide electromagnetic shielding (see sheet 4).

6. Max. resistance across indicated bond shall be .001 $\square$ . while max. resistance from any point on inverter (excluding high voltage shielding & connector) to mounting plate shall not exceed .0015 $\square$ .

7. This unit supersedes PW-6900053-5 and 6900053-5.

**Tolerance:**

UNLESS OTHERWISE SPECIFIED, DIMENSIONS ARE IN INCHES:  
1. .XX = +/- 0.030"; .XXX = +/- 0.010"

**ORDERING NO.: 6900053-005**

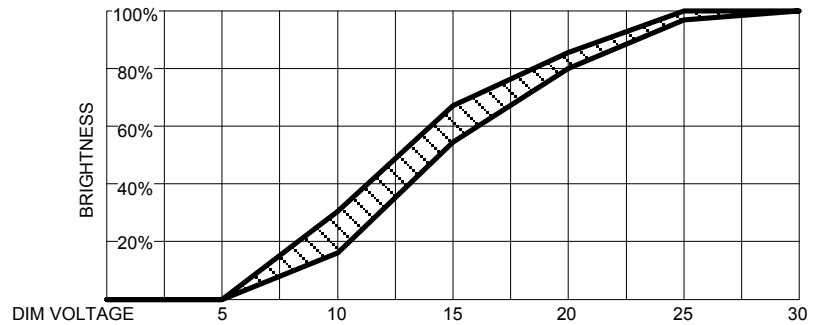
MATERIAL: --	ISSUED BY	-	10/16/00	SIZE	FSCM NO.	DRAWING NO.	REV
	DRAWN BY	J. Dawley	10/16/00	A	33497	6900053-005	C
	CHECKED BY	T.O.M.	10/16/00	SCALE	1:2	EST. WGT -	SHEET 3 OF 7
	APPRD BY	T.O.M.	10/16/00	CAD FILE NAME	6900053-005C_Customer v12.mcd		

APPLICATION		REVISION HISTORY			
NEXT ASSY	USED ON	REV	DESCRIPTION	DATE	APPROVED
-	-				

### Electrical Specifications:

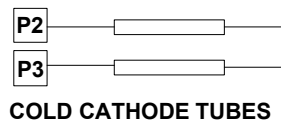
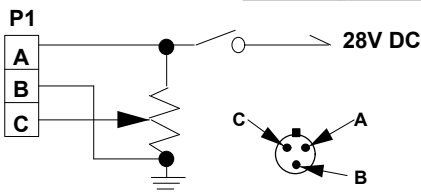
Specifications	MIN.	Typ.	Max.	Units
Supply voltage	16	28	33	Vdc
Supply Current	0.2	-	2	Amps
Dimming Input Voltage	0	-	28	Vdc
Dimming Input Resistance	-	50K	-	Ohms
Ambient Temperature	-25	-	+55	Cent.
Temperature Rise (No heat sink)	-	+30	+45	Cent.
Heat Disipation	-	5	7	Watts
Weight	-	845	-	Grams
Output Short Circuit Duration	-	Countinous	-	
Output Current	0	-	15	mA
Electrical Lamp Length	0	-	16	Ft.
Output Voltage (Per E.L.L.)	-	144	-	Vrms/Ft.
Output Cross Coupling to Ground	-	-	300	pf
Output Cross Coupling to other 4000 Output	-	-	300	pf
<b>Output Open Circuit Shut Down Time</b>	<b>10</b>	<b>-</b>	<b>60</b>	<b>Sec.</b>
Operating Frequencies: 1754, 1814, 1879, 1937, 2000, 2062, Hertz +/- 2% at 20* C				

### Brightness vs. Dimming Voltage:



\* E.L.L. (Electrical Lamp Length) is best calculated by finding the total physical length of a lamp and adding 6 inches.

### WIRING HOOKUP



### INSTALLATION GUIDE:

- A. Power Supply Should Be Mounted In An Area With Adequate Convection Cooling And Where Structure Will Provide A Good Heat Sink.

MATERIAL: --	ISSUED BY	-	10/16/00	SIZE	FSCM NO.	DRAWING NO.	REV
	DRAWN BY	J. Dawley	10/16/00	<b>A</b>	<b>33497</b>	<b>6900053-005</b>	<b>C</b>
	CHECKED BY	T.O.M.	10/16/00	SCALE	EST. WGT	SHEET	OF
	APPRD BY	T.O.M.	10/16/00	<b>1:1</b>	-	<b>4</b>	<b>7</b>
				CAD FILE NAME	6900053-005C_Customer v12.mcd		