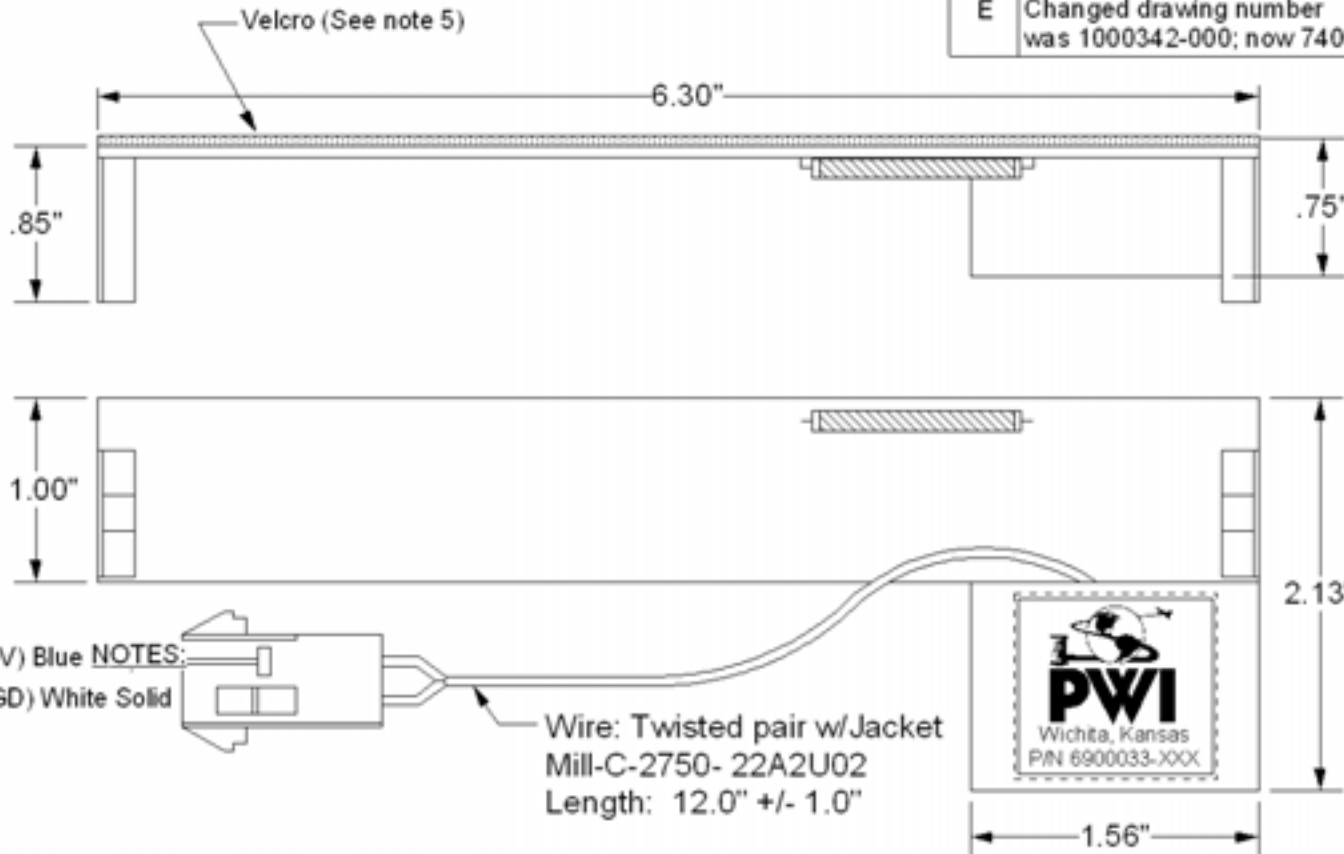


REVISIONS

REV	DESCRIPTION	DATE	APPD.
A	Added fuse protection internally	04-03-92	T.O.M.
B	Changed Dim. was 0.75"; now 0.85"	07-22-92	T.O.M.
C	Added wire Specifications	09-09-95	T.O.M.
D	Updated PWI Part numbers and Logo. Added Superseded note	04-17-00	E.C.
E	Changed drawing number was 1000342-000; now 7400002-001	01-13-06	J.D.



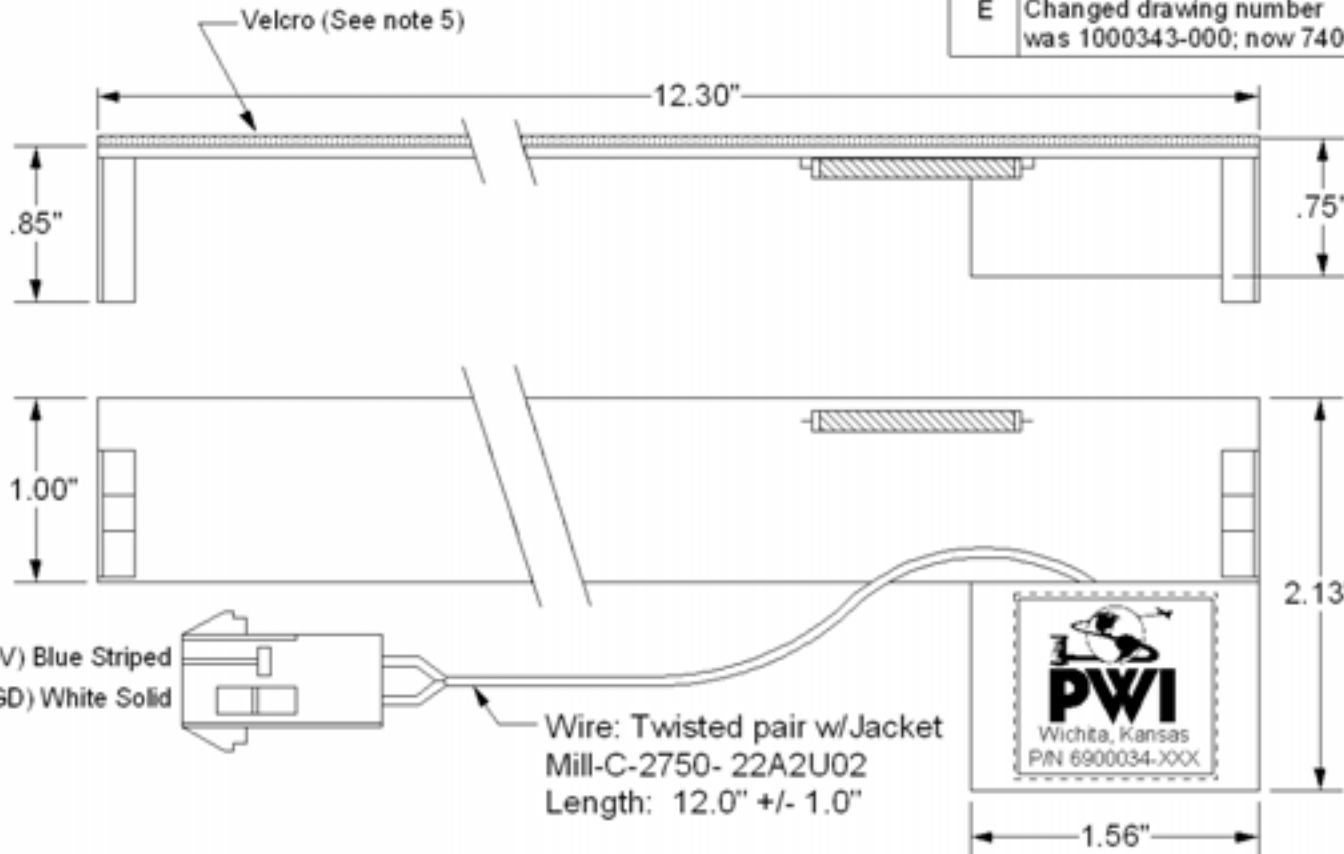
- Weight: 150 Grams Max.
- Input: 28 VDC @ .50Amps Max.
- Lamp: GE-5108 WW or EQuiv. (Lamp not included)
- Bright Mode: Input Voltage above 25.5 VDC.
Dim Mode: Input Voltage below 23.5 VDC (Half Brightness)
- Unit will start at 19V @ 10°F.
- Unit is reverse polarity protected.
- Internal fuse protection
- Unit Connector: 3101204-001
Pins (2): 3101202-000
Mates with
Connector:
3101201-000 (AMP 1-480698-0)
Sockets (2):
3101203-000 (AMP 350689-1)
- 1" Velcro loop (3M# SJ-3537) or Eqiv.
- 6900033-XXX:
-000 Unit with velcro.
-001 Unit w/o velcro.
- This unit supersedes PW-2013-L6, FLCPM-L6, 6900033-X and PW6900033-X.

Ordering P/N: See Note 10

APPLICATION		UNLESS OTHERWISE SPECIFIED DIMENSIONS ARE IN INCHES. TOLERANCES: FRACTIONS ± ANGLES ± 2 PLACE DECIMAL ± .03 3 PLACE DECIMAL ± .010"	PROPRIETARY INFORMATION			109 S. KNIGHT WICHITA, KANSAS 67213 TEL: 316-942-2811 FAX: 316-942-6209			
NEXT ASSY	USED ON		THE FURNISHING OF THIS DOCUMENT DOES NOT CONVEY ANY REPRODUCTION OR MFG. RIGHTS.			Light Assembly, 6.0" L Hot Cathode			
		MATERIAL:	DRAWN	J. DAWLEY	10-18-84	SIZE	FSCM NO.	DWG. NO.	REV
			CHKD.	A.E	10-19-84	A	33497	7400002-001	E
			ORIG.			SCALE		SHEET	1

REVISIONS

REV	DESCRIPTION	DATE	APPD.
A	Added fuse protection internally	04-03-92	T.O.M.
B	Changed Dim. was 0.75"; now 0.85"	07-22-92	T.O.M.
C	Added wire Specifications	09-09-95	T.O.M.
D	Updated PWI Part numbers and Logo. Added Superseded note	02-13-01	J.D.
E	Changed drawing number was 1000343-000; now 7400002-000	01-13-06	J.D.



NOTES:

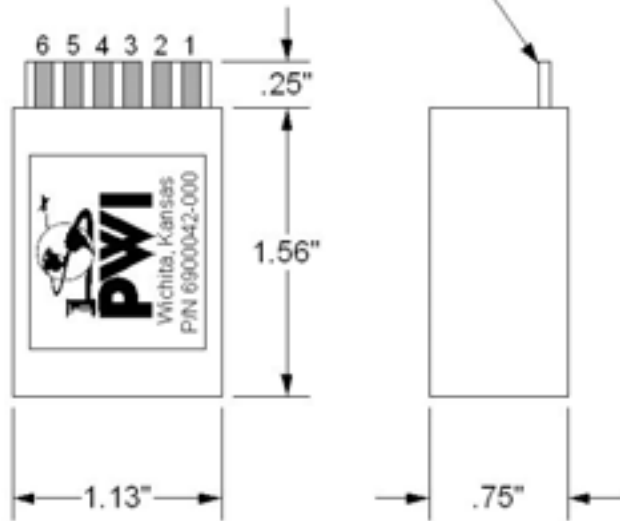
- Weight: 150 Grams Max.
- Input: 28 VDC @ .50Amps Max.
- Lamp: GE-5108 WW or EQUV. (Lamp not included)
- Bright Mode: Input Voltage above 25.5 VDC.
Dim Mode: Input Voltage below 23.5 VDC (Half Brightness)
- Unit will start at 19V @ 10°F.
- Unit is reverse polarity protected.
- Internal fuse protection
- Unit Connector: 3101204-001
Pins (2): 3101202-000
Mates with
Connector:
3101201-000 (AMP 1-480698-0)
Sockets (2):
3101203-000 (AMP 350689-1)
- 1" Velcro loop (3M# SJ-3537) or Eqv.
- 6900034-XXX:
-000 Unit with velcro.
-001 Unit w/o velcro.
- This unit supersedes PW-2013-L12, FLCPM-L12, 6900034-X and PW6900034-X.

Ordering P/N: See Note 10

APPLICATION		UNLESS OTHERWISE SPECIFIED DIMENSIONS ARE IN INCHES. TOLERANCES: FRACTIONS ± ANGLES ± 2 PLACE DECIMAL ± .03 3 PLACE DECIMAL ± .010"	PROPRIETARY INFORMATION			109 S. KNIGHT WICHITA, KANSAS 67213 TEL: 316-942-2811 FAX: 316-942-6209			
NEXT ASSY	USED ON		THE FURNISHING OF THIS DOCUMENT DOES NOT CONVEY ANY REPRODUCTION OR MFG. RIGHTS.			Light Assembly, 12.0" L Hot Cathode			
		MATERIAL:	DRAWN	J. DAWLEY	10-18-84	SIZE	FSCM NO.	DWG. NO.	REV
			CHKD.	A.E	10-19-84	A	33497	7400002-000	E
			ORIG.			SCALE		SHEET	1

APPLICATION		REVISIONS			
NEXT ASSY	USED ON	REV	DESCRIPTION	DATE	APPROVED

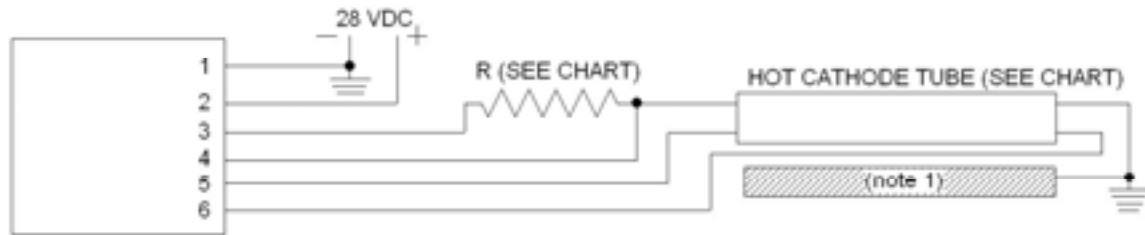
Edge connector
(To mate with Cinch: 50-12A-30)



NOTES

1. TUBES SHOULD BE MOUNTED WITHIN 2.5CM OF GROUND REFLECTOR FOR RELIABLE STARTS.
2. THIS UNIT SUPERCEDES PW-FLC-28 AND 6900041.
3. LIGHT OUTPUT WILL DIMINISH WITH REDUCED INPUT VOLTAGE.

Installation diagram



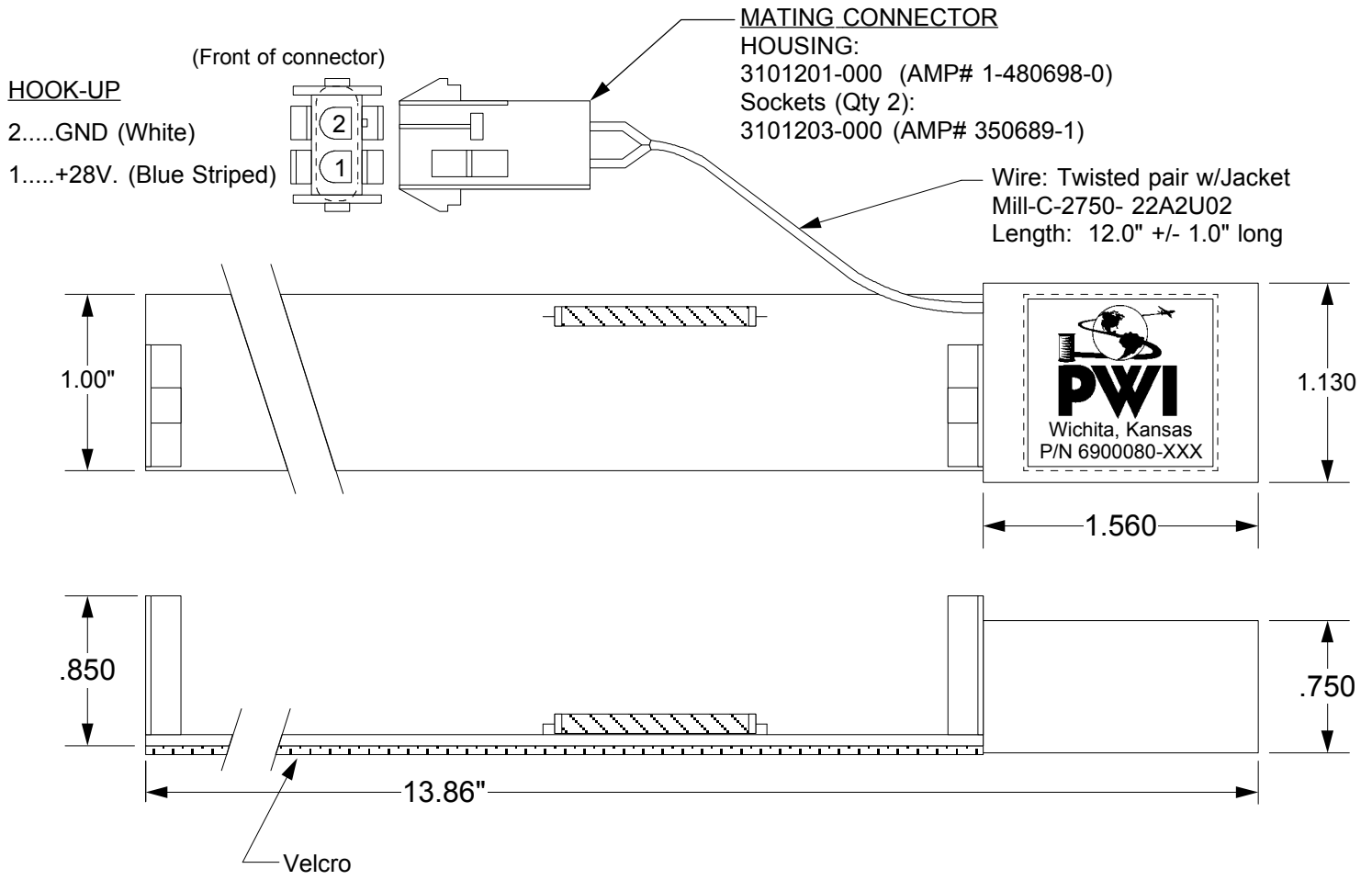
Electrical Specifications:

Specifications	Min.	Nom.	Max.	Units
Input Volts/Amps				
15VDC	-	200	-	mA
20VDC	-	170	-	mA
24VDC	-	190	-	mA
28VDC	250	-	350	mA
Output Volts	-	-	180	V
Weight	-	-	38 (.084)	g (lb)
Unit will start at 19V @ 10° F				
Unit is Reverse polarity protected				

Tube & Resistor chart:

Length	Sylvania P/N	GE P/N	Resistor (R)
6.00"	F4T5WW/RS	5104WW	6800 Ohm 3.75W Wire-Wound
12.00"	F8T5WW/RS	5108WW	5600 Ohm 3.75W Wire-Wound

PROPRIETARY INFORMATION THE FURNISHING OF THIS DOCUMENT DOES NOT CONVEY ANY REPRODUCTION OR MFG. RIGHTS.	Approvals		Date	Size	FSCM No.	DWG No.	Rev.
	Drawn	J. Dawley	08-09-85	A	33497	7400019-000	E
	Checked	E. Lorik	08-09-85	Scale	None		Sheet 3 of 3



6900080-000				
SPECIFICATIONS	MIN.	TYP.	MAX.	UNITS
INPUT VOLTAGE DC:	19	28	33	VDC
INPUT CURRENT:	-	0.5	-	AMPS
DIMMING:	N/A			
LAMP (Not Included)	12.0" (GE-5108WW or Equiv.)			
WEIGHT:		150		Grams
OPERATING TEMPERATURE:	-12.22		+55	°C
Unit will start at 19V @ -12.22° C. Unit is Reverse polarity protected.				

6900080-XXX:
 -000 Unit with velcro.
 -001 Unit w/o velcro.

	PVI ORDERING P/N
	6900080-XXX